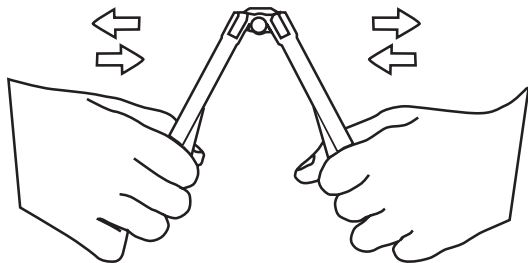
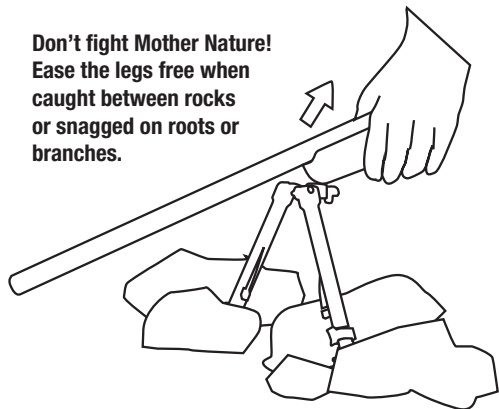


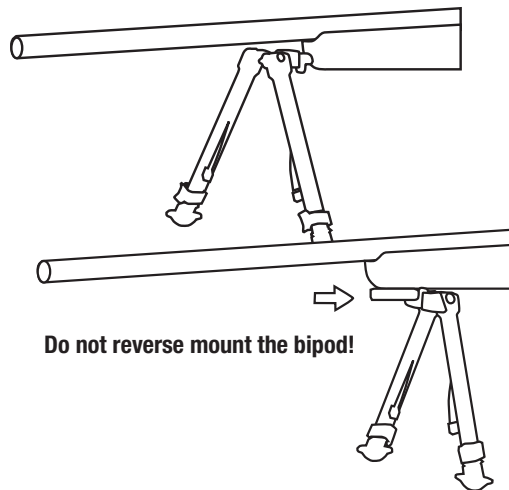
**Do not squeeze together.
Do not pull legs outwards.**



**Don't fight Mother Nature!
Ease the legs free when
caught between rocks
or snagged on roots or
branches.**



**Press gently forward to load bipod.
Use moderate force only.**



Do not reverse mount the bipod!



Instructions For Use